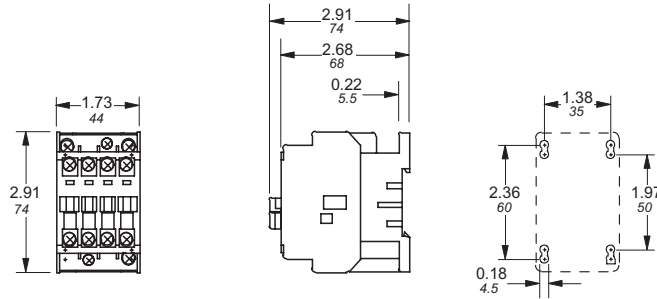


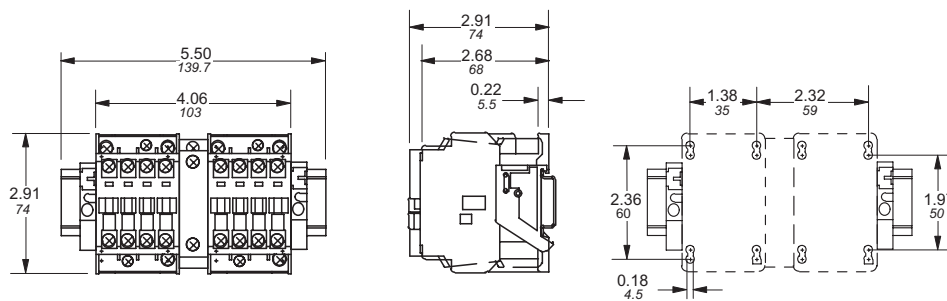
Approximate dimensions 3 pole contactors, A/AE9 – A/AE26

00.00 Inches
00.00 [Millimeters]

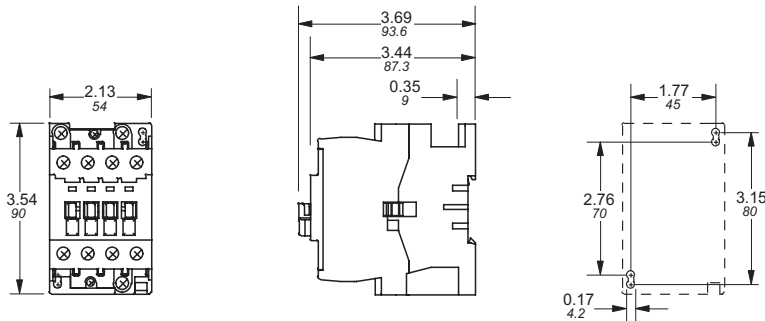
A/AE9 – A/AE16 — Contactor, 3 pole



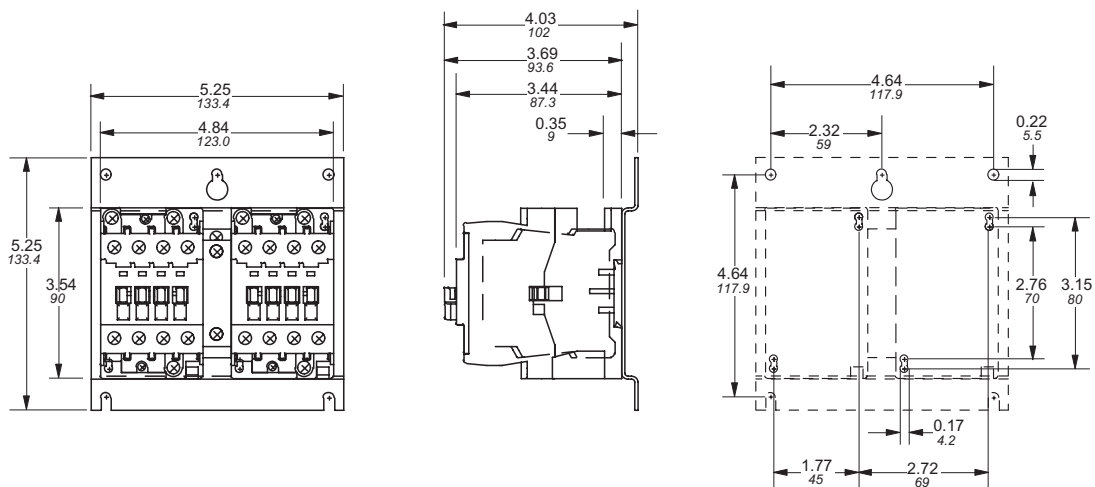
A/AE9 – A/AE16 + VM5 or VE5 — Mechanically interlocked contactor, 3 pole



A/AE26 — Contactor, 3 pole



A/AE26 + VM5 or VE5 — Mechanically interlocked contactor, 3 pole

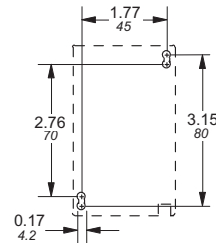
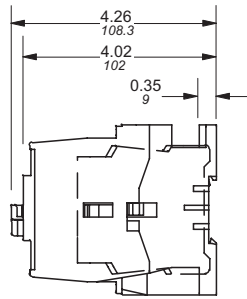
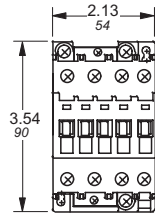


Approximate dimensions

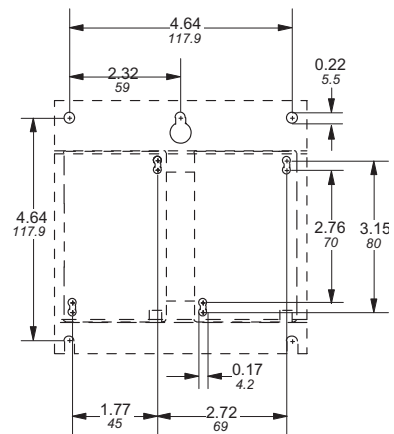
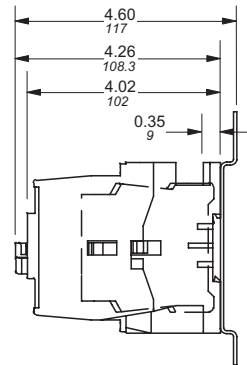
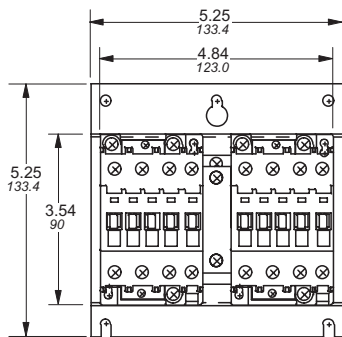
3 pole , A/AE30 – A/AE/AF75

← 00.00 → Inches
00.00 → [Millimeters]

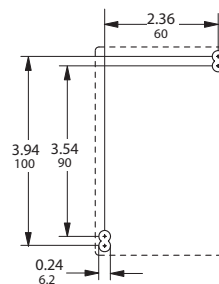
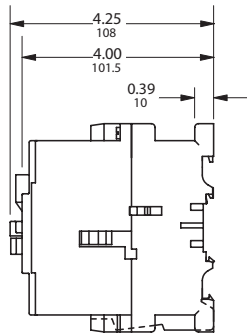
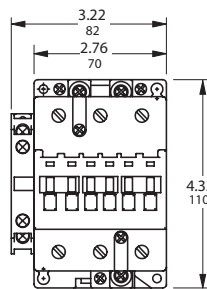
A/AE30 & A/AE40 — Contactor, 3 pole



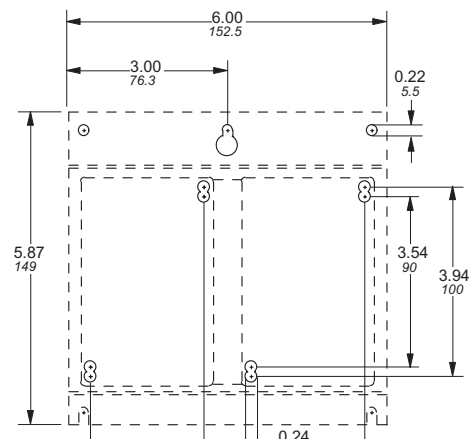
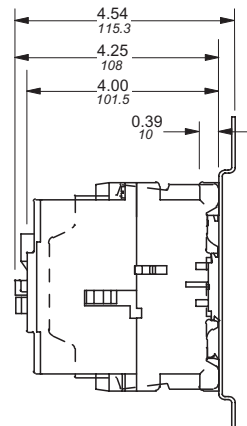
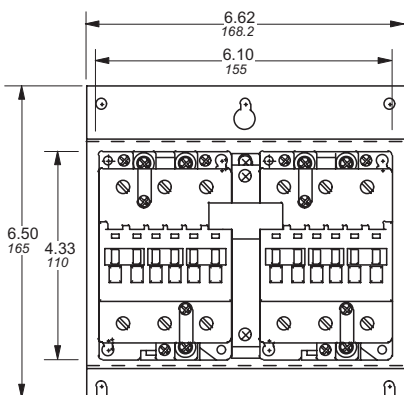
A/AE30 & A/AE40 + VM5 or VE5 — Mechanically interlocked contactor, 3 pole



A/AE/AF50 – A/AE/AF75 — Contactor, 3 pole



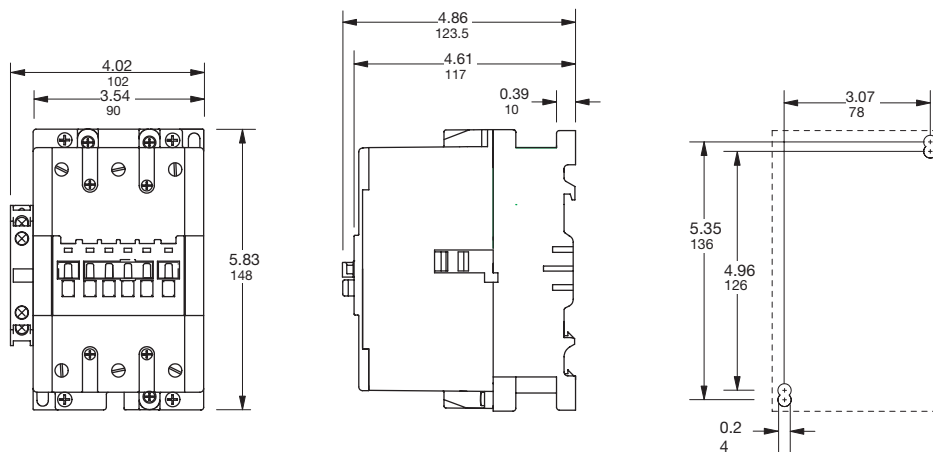
A/AE/AF50 – A/AE/AF75 + VM5 or VE5 — Mechanically interlocked contactor, 3 pole



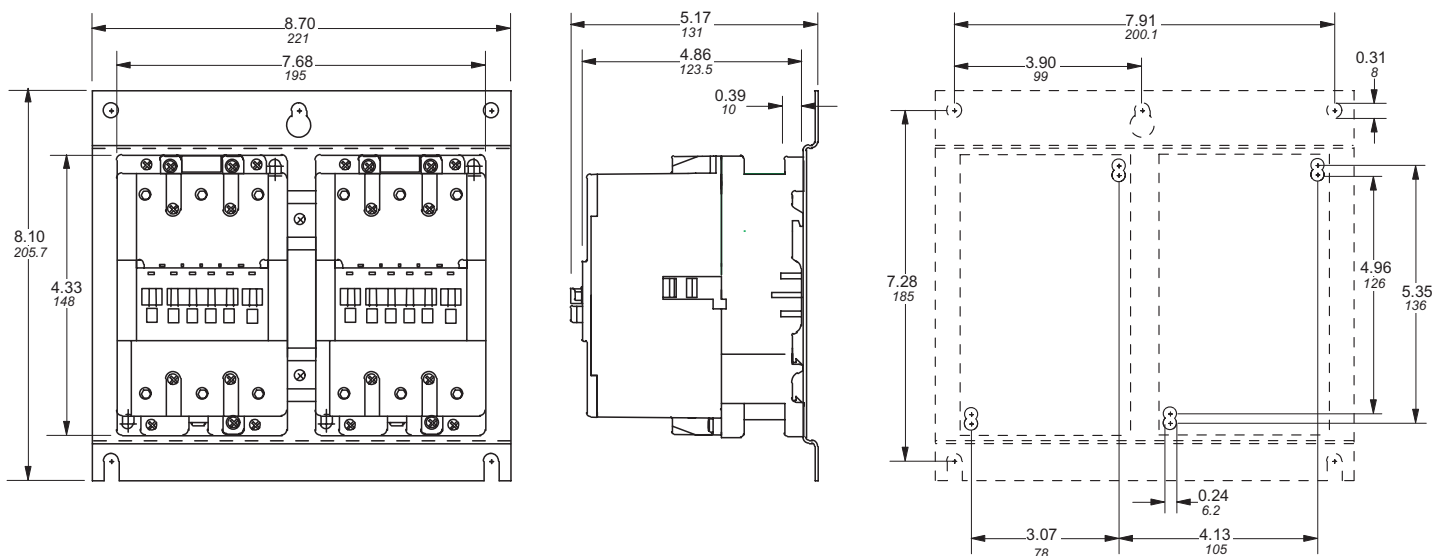
Approximate dimensions 3 pole, A/AE/AF95 & A/AE/AF110

00.00 — Inches
00.00 — [Millimeters]

A/AE/AF95 & A/AE/AF110 — Contactor, 3 pole



A/AE/AF95 & A/AE/AF110 + VE5 — Mechanically interlocked contactor, 3 pole

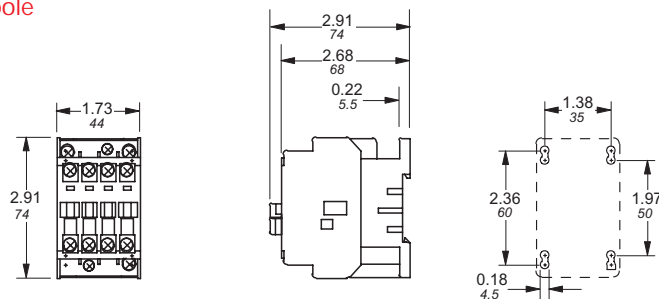


Approximate dimensions

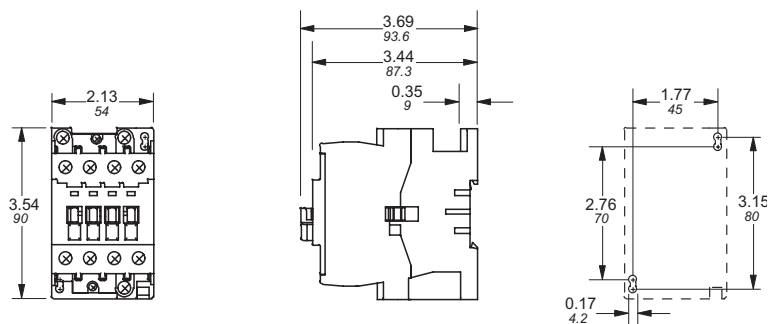
4 pole contactors, A/AE9 – A/AE/AF75

← 00.00 → Inches
00.00 [Millimeters]

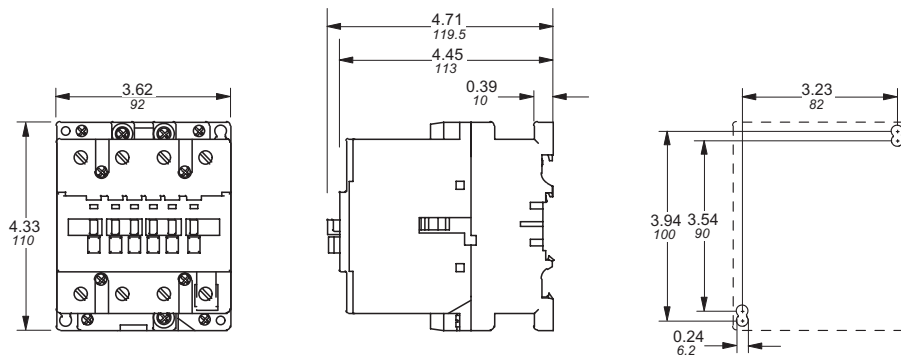
A/AE9 – A/AE16 — Contactor, 4 pole



A/AE26 — Contactor, 4 pole



A/AE/AF45 – A/AE/AF75 — Contactor, 4 pole

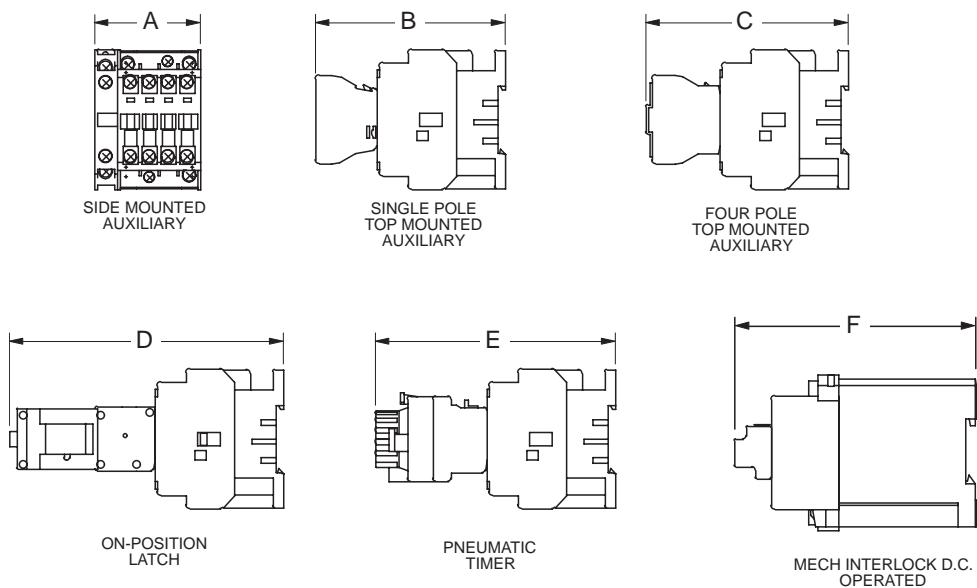


Approximate dimensions

Accessories for A/AE9 – A/AE/AF110

← 00.00 → Inches
00.00 [Millimeters]

A/AE9 – A/AE40
A/AE/AF50 – A/AE/AF110

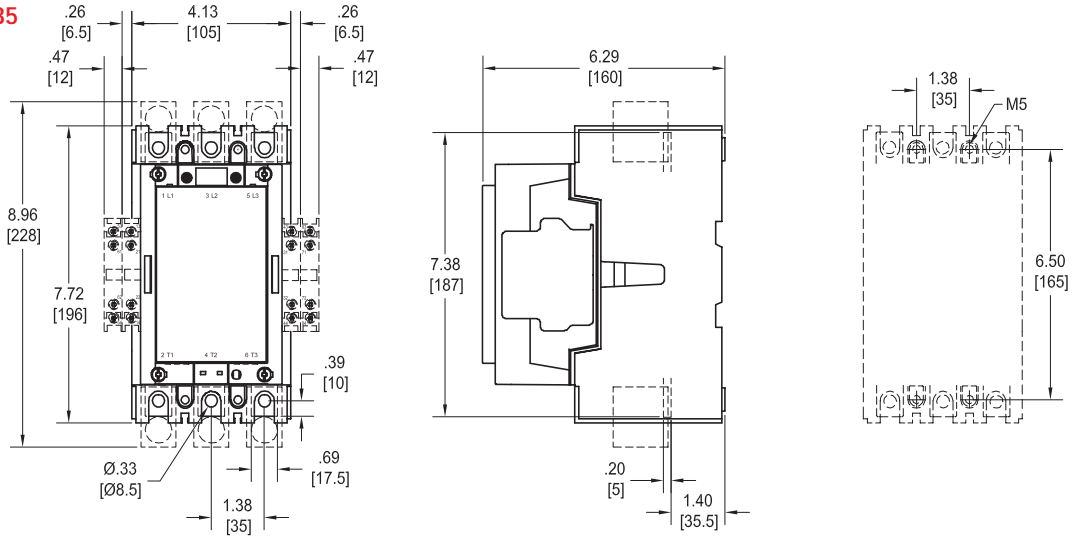


TYPE		A	B	C	D	E	F
A/AE9-16	IN	2.20	3.96	4.21	5.71	5.00	–
	MM	56	100.5	107	145	127	–
A/AE26	IN	2.20	4.72	4.97	6.47	5.76	–
	MM	56	119.8	126.3	164.3	146.3	–
A/AE30-40	IN	2.20	5.30	5.55	7.05	6.34	–
	MM	56	134.5	141	179	161	–
A/AE/AF50-75	IN	3.23	5.27	5.52	7.03	6.32	–
	MM	82	133.9	140.3	178.5	160.4	–
A/AE/AF45	IN	4.09	5.73	5.98	7.48	6.77	–
	MM	104	145.5	152	190	172	–
A/AE/AF95-110	IN	4.02	5.91	6.16	–	–	–
	MM	102	150	156.5	–	–	–

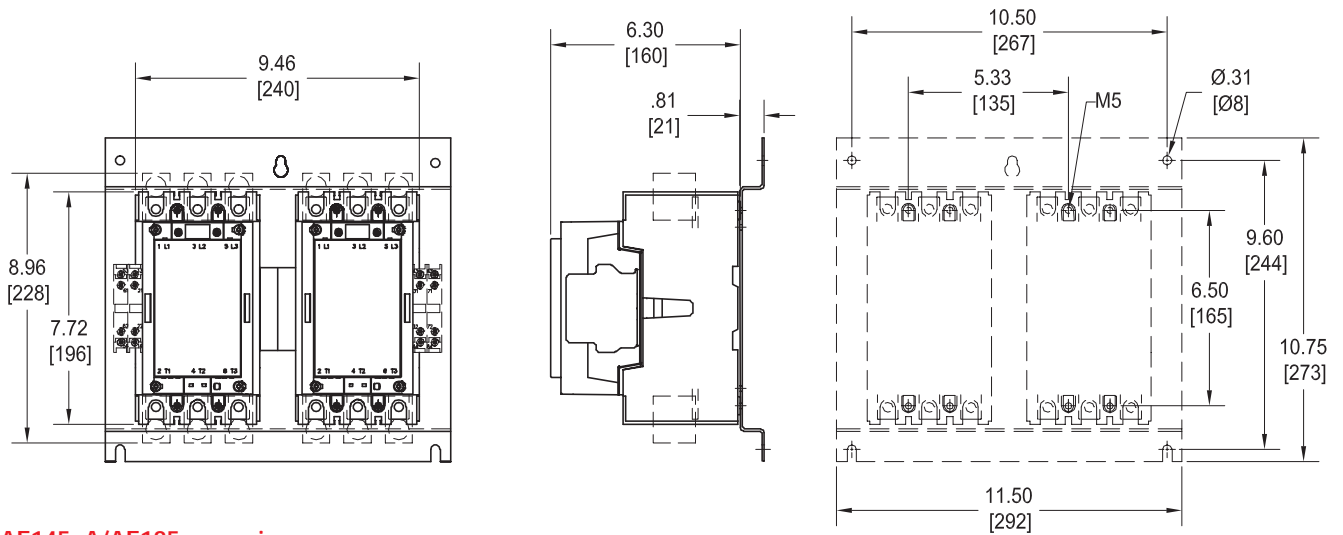
Approximate dimensions A/AF145 – A/AF185

00.00 Inches
00.00 [Millimeters]

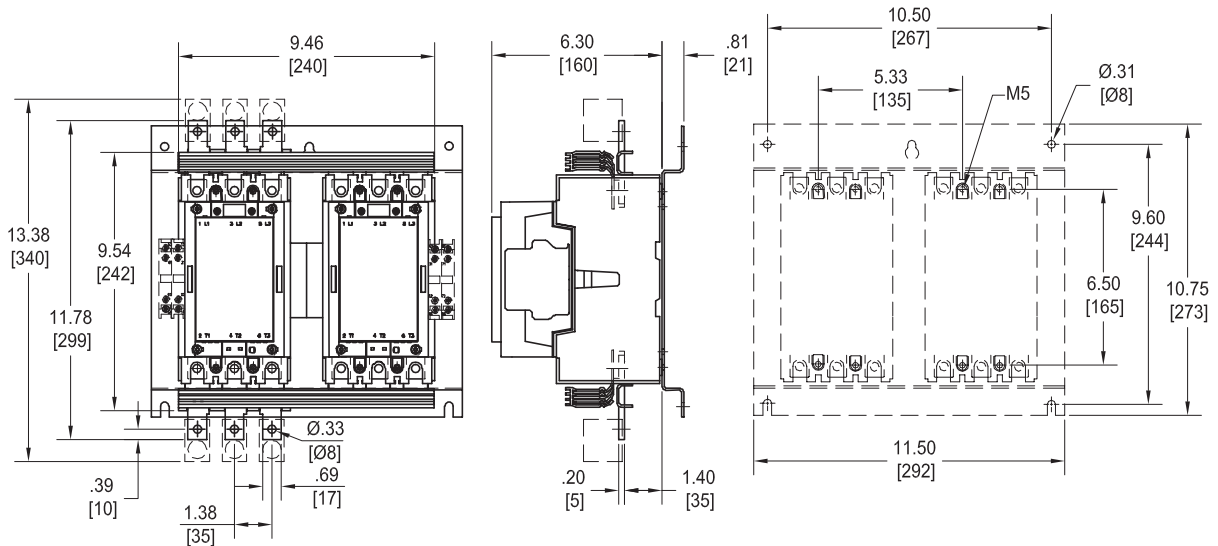
A/AF145 & A/AF185



A/AF145, A/AF185 with mechanical interlock



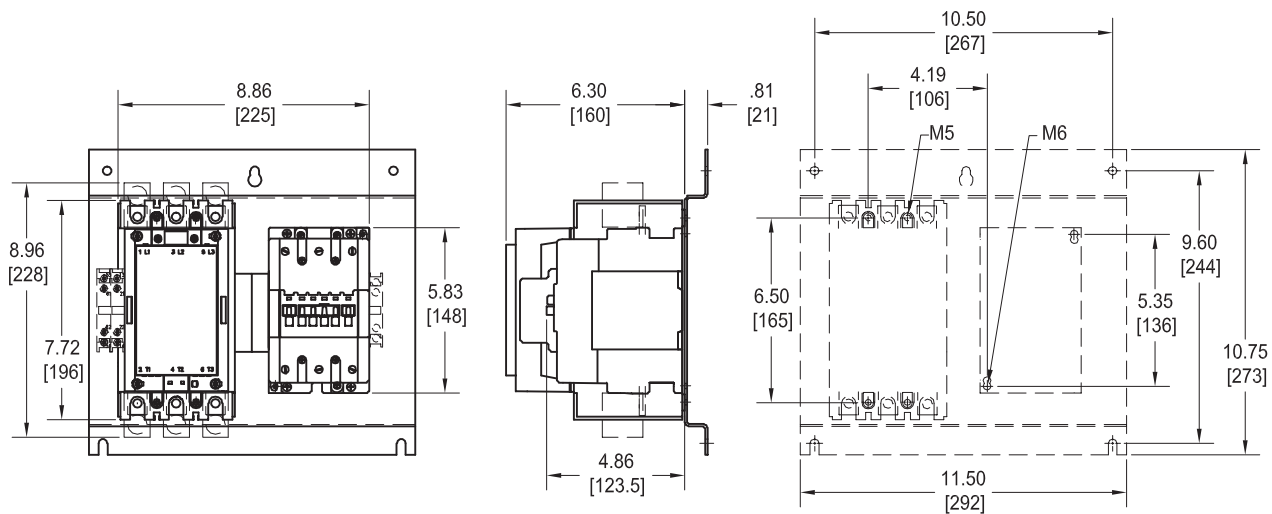
A/AF145, A/AF185 reversing



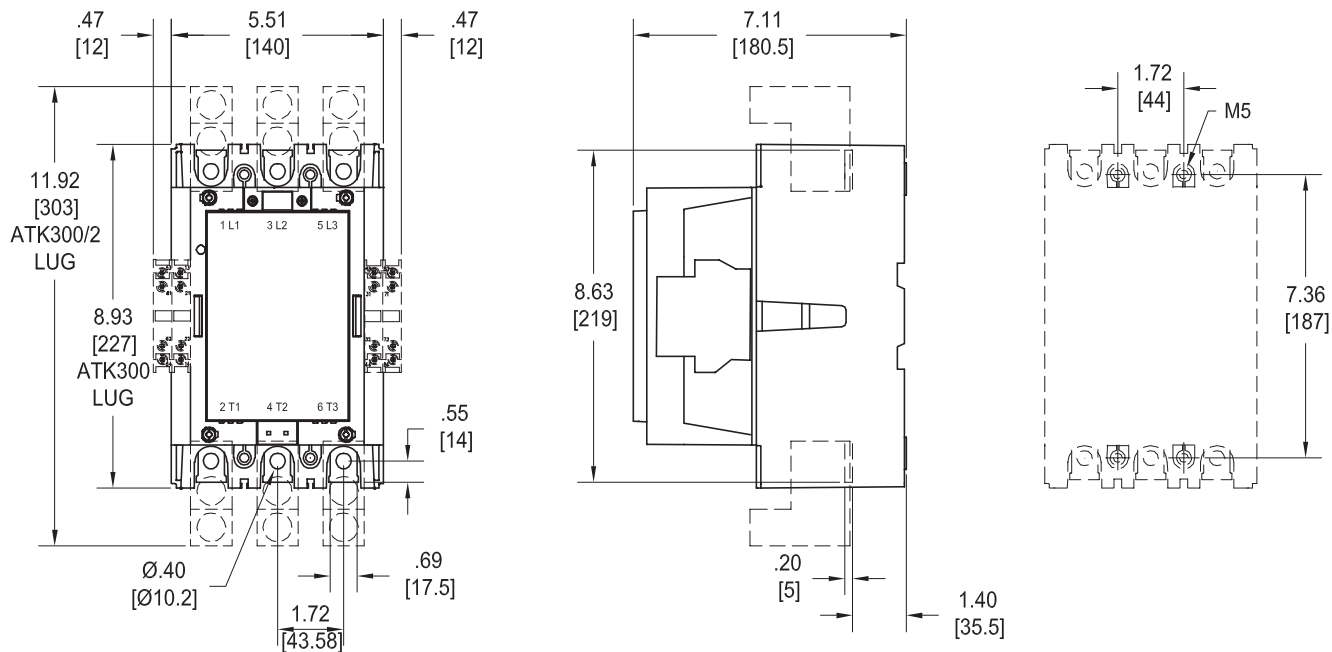
Approximate dimensions A/AF145 – A/AF300

← 00.00 → Inches
00.00 → [Millimeters]

A/AF145 – A/AE/AF95-110 mechanically interlocked



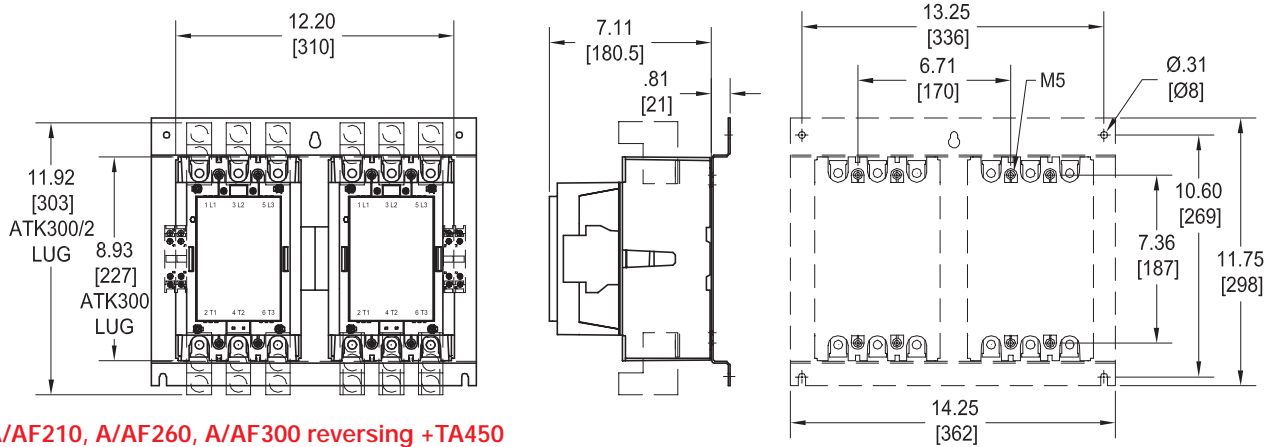
A/AF210, A/AF260, A/AF300



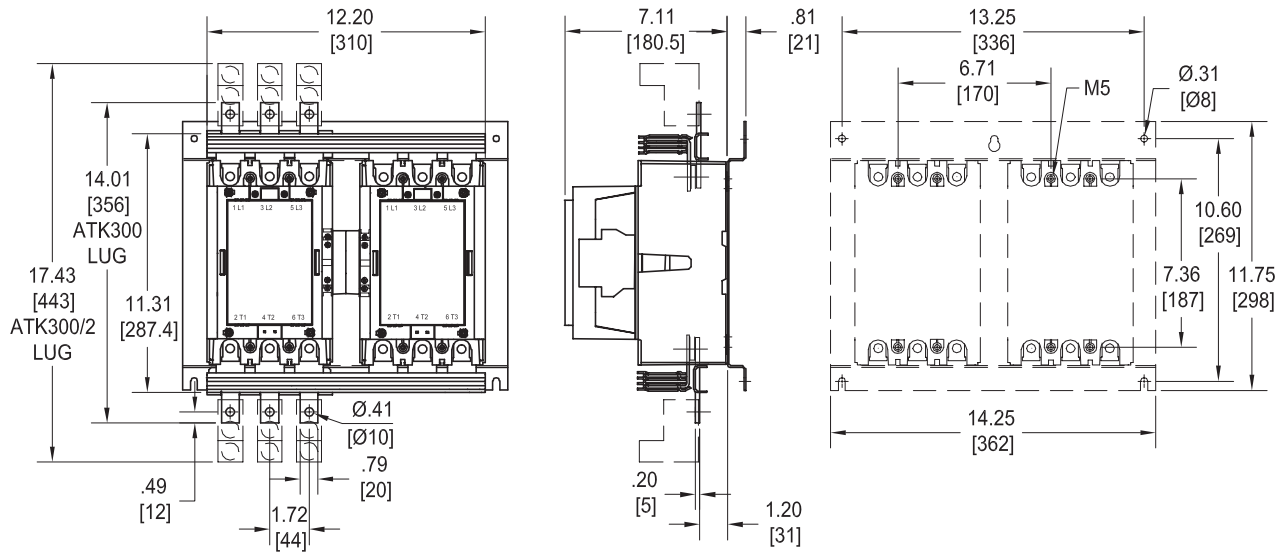
Approximate dimensions A/AF210 – A/AF300

00.00 — Inches
00.00 — [Millimeters]

A/AF210, A/AF260, A/AF300 with mechanical interlock



A/AF210, A/AF260, A/AF300 reversing +TA450



A/AF210, A/AF145 with mechanical interlock

